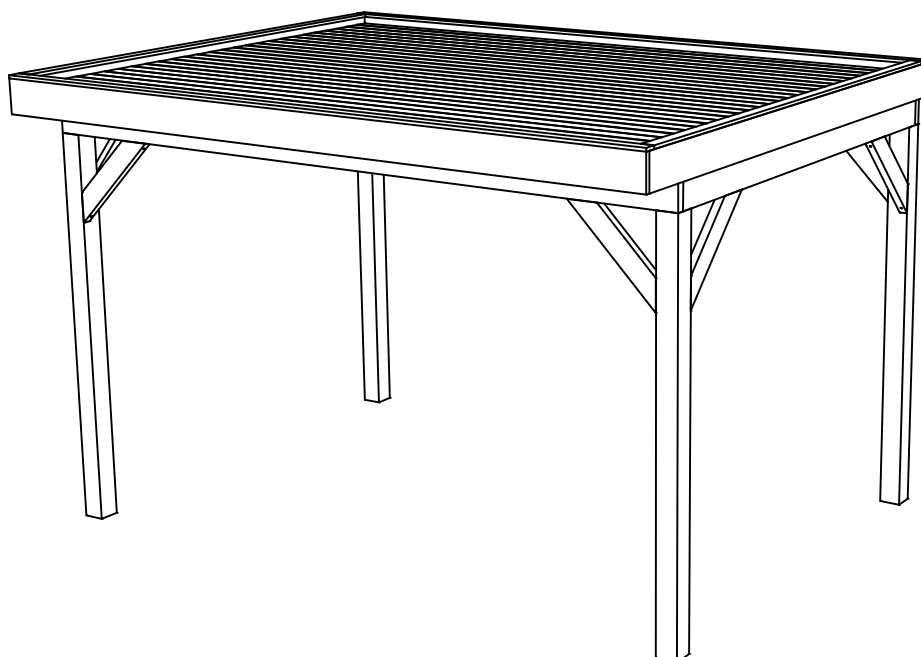
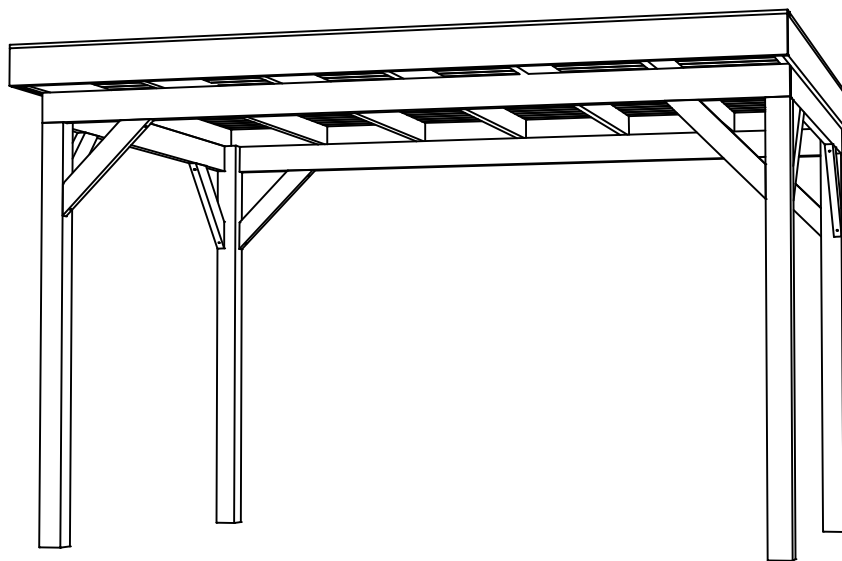


## Dimensional and assembly drawings

Canopy 4000 x 2700

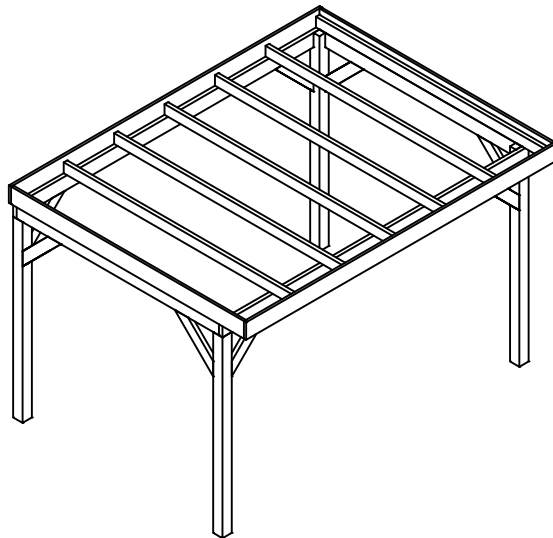
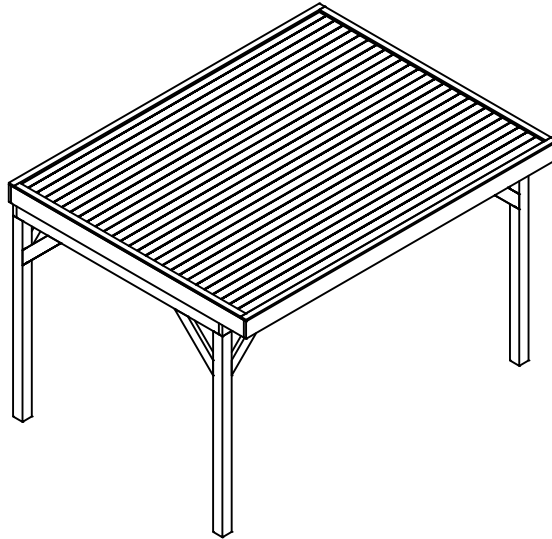


## Canopy 4000 x 2700

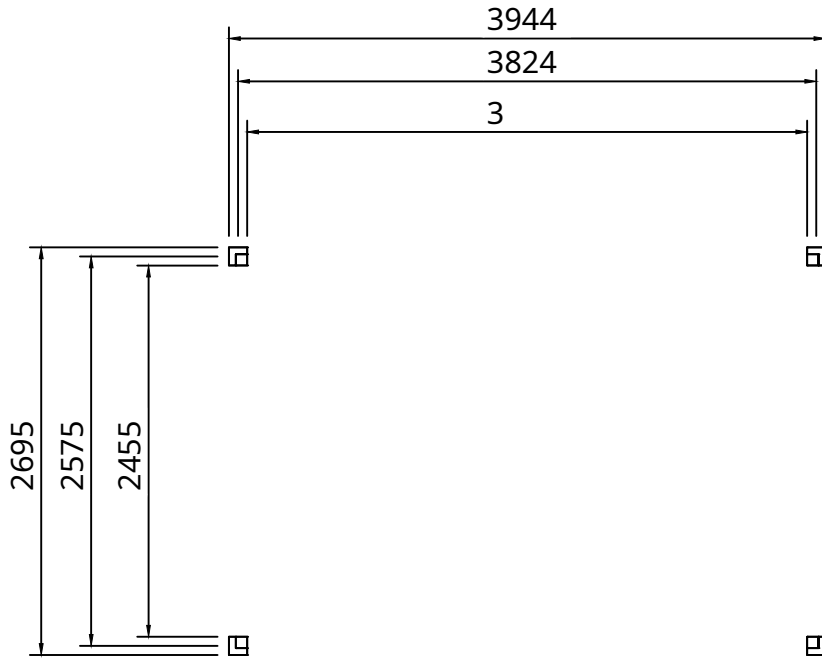
Order number	
Dimensions (cm)	400 X 305 Width x depth
Overhang at the front (cm)	30.5 (Default 30.5)

Quantity	Code	Length (mm)	definition
4	DBC P-600	2400	Douglas Fir Corner Post 120x120
8	DBC 27	700	Douglas Fir Braces 45x120
2	DBC E - 400	3944	Douglas Fir Ring beam front and rear 45x160
2	DBC F - 305	2605	Douglas Fir Ring beam left and right 45x160
7	DBC G - 305	3000	Douglas Fir Purlin 45x120
2	DBC B01 - 400	4000	Douglas Fir ring front and rear 28x195
2	DBC B02 - 305	3000	Douglas Fir ring left and right 28x195
28	DBC K - 400	3944	Douglas Fir Roof wood working width 108
2	DBC L1 - 400	4000	Douglas Fir Roof batten front and rear 18x70
2	DBC L2 - 305	2916	Douglas Fir Roof batten left and right 18x70
1	1016903		Fixing material
1	1016941	4400x3500	EPDM roofing with accessories

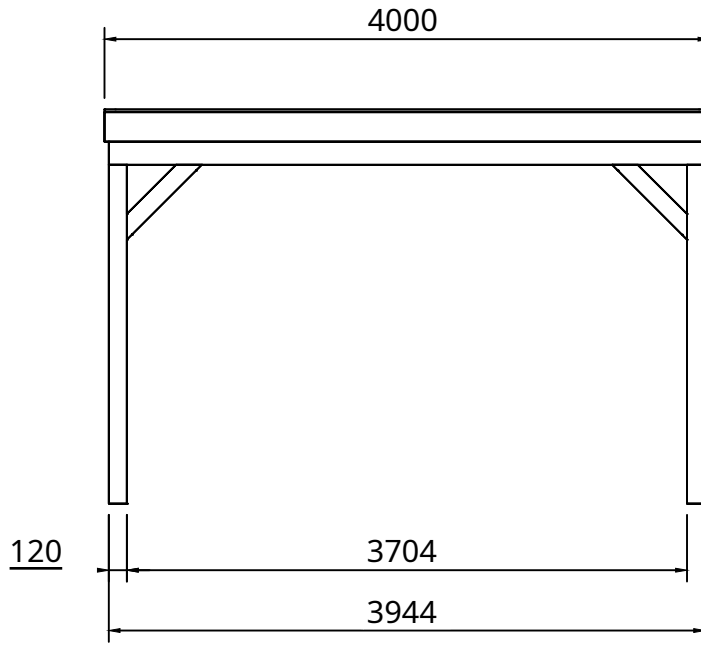




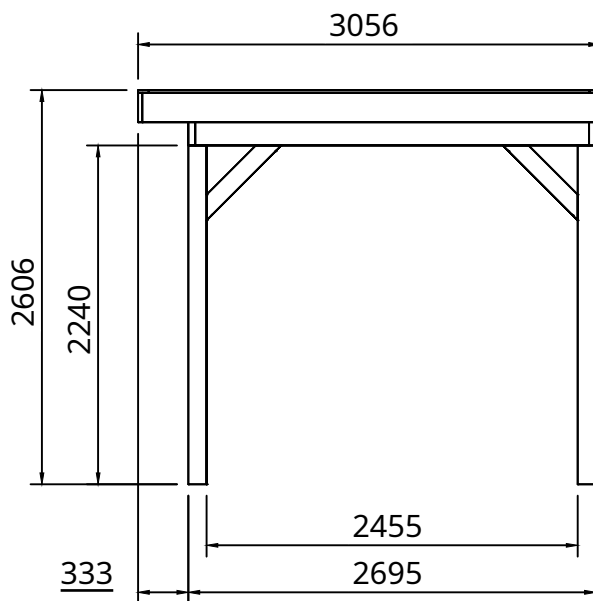
Floorplan



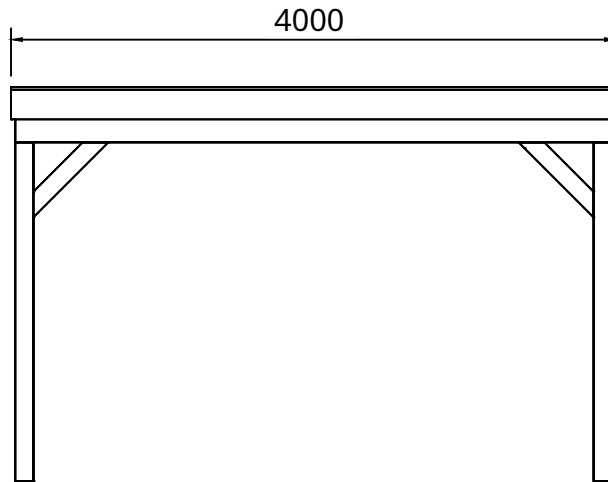
Front view



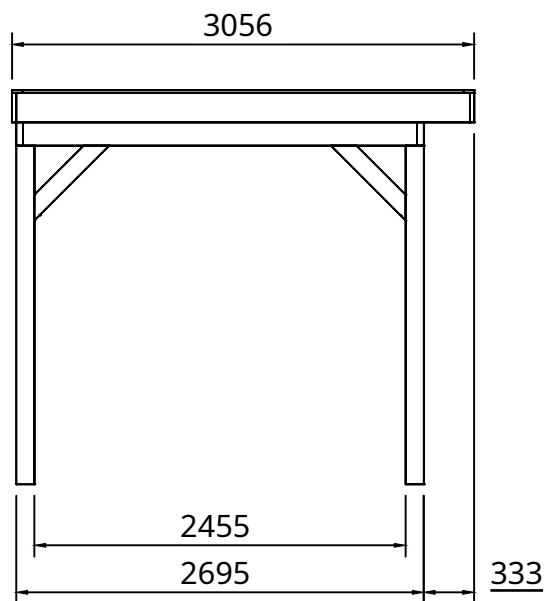
Right side view

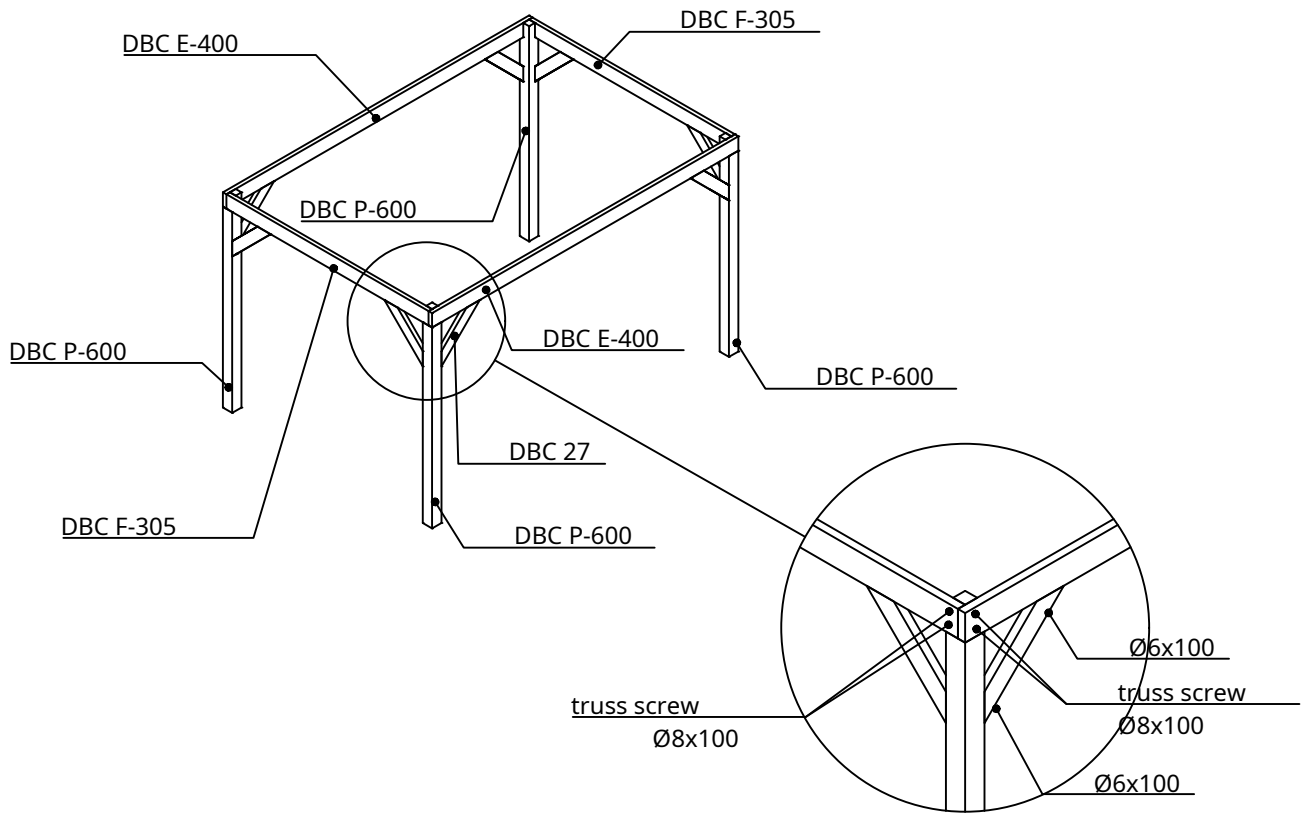


Back view

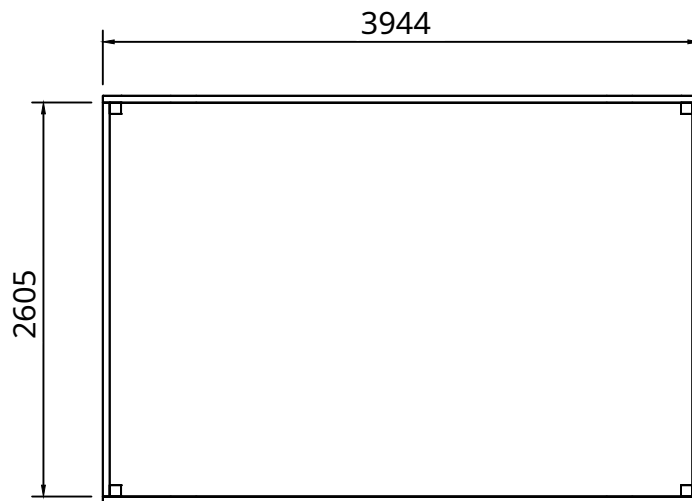


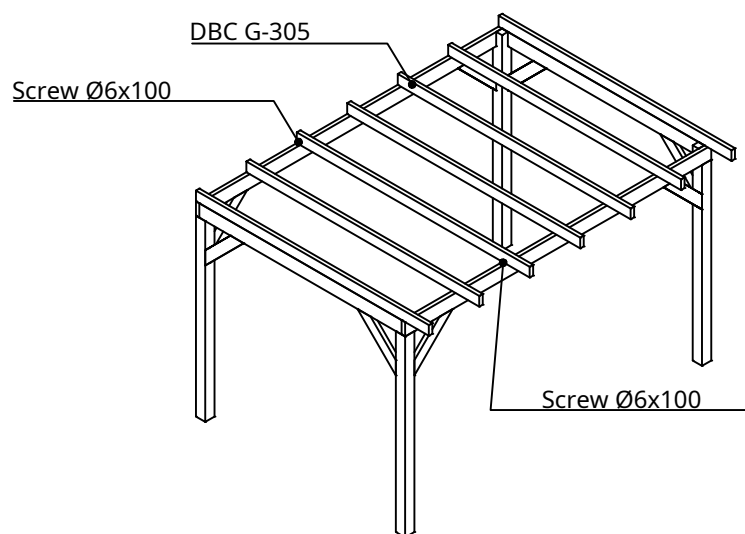
Left side view



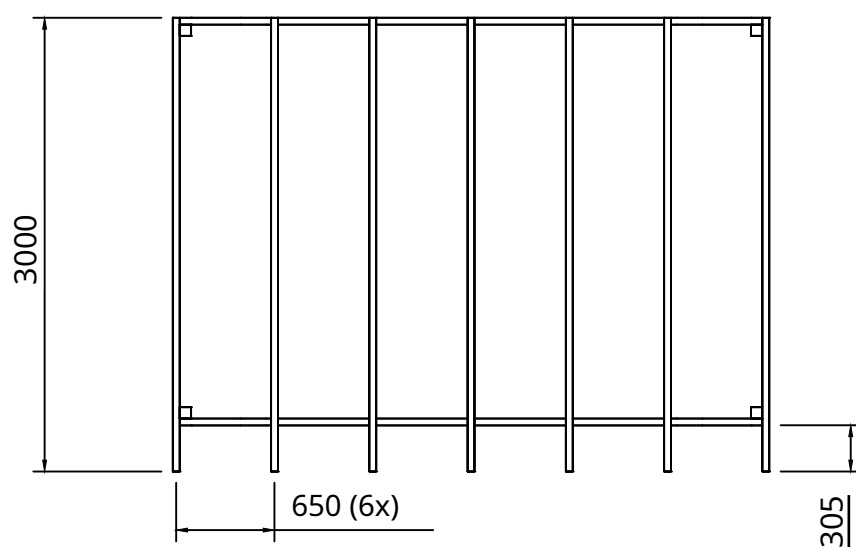


Top view

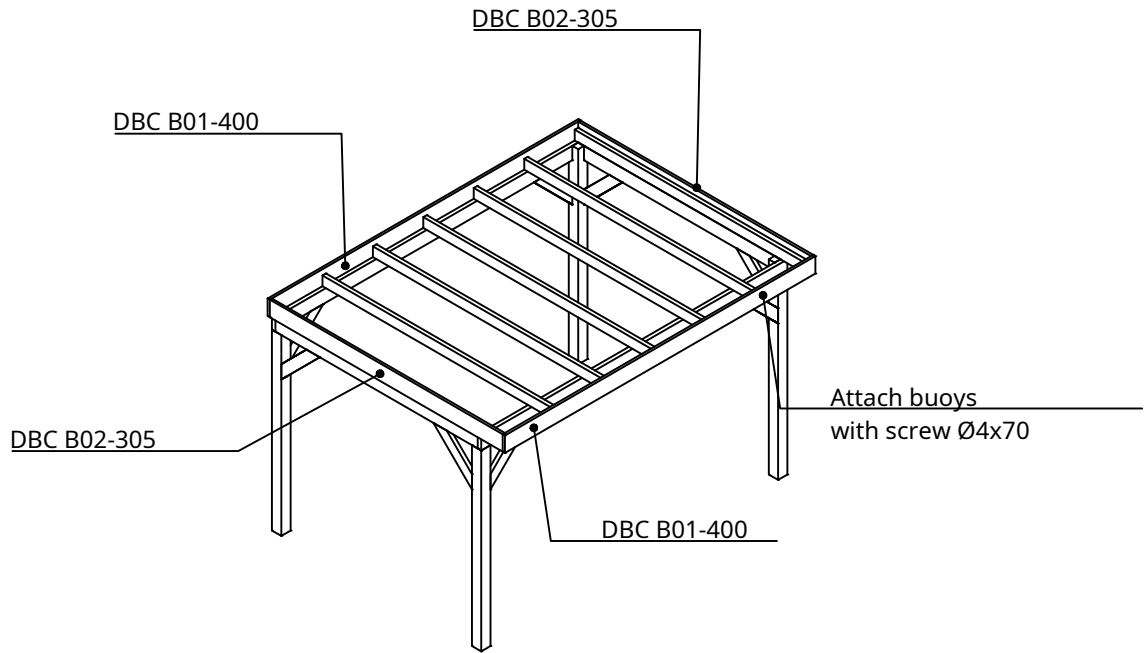




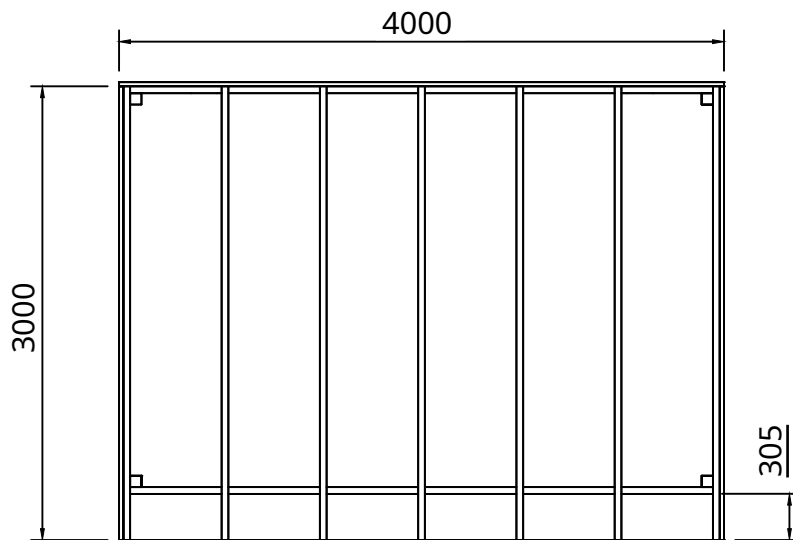
Top view

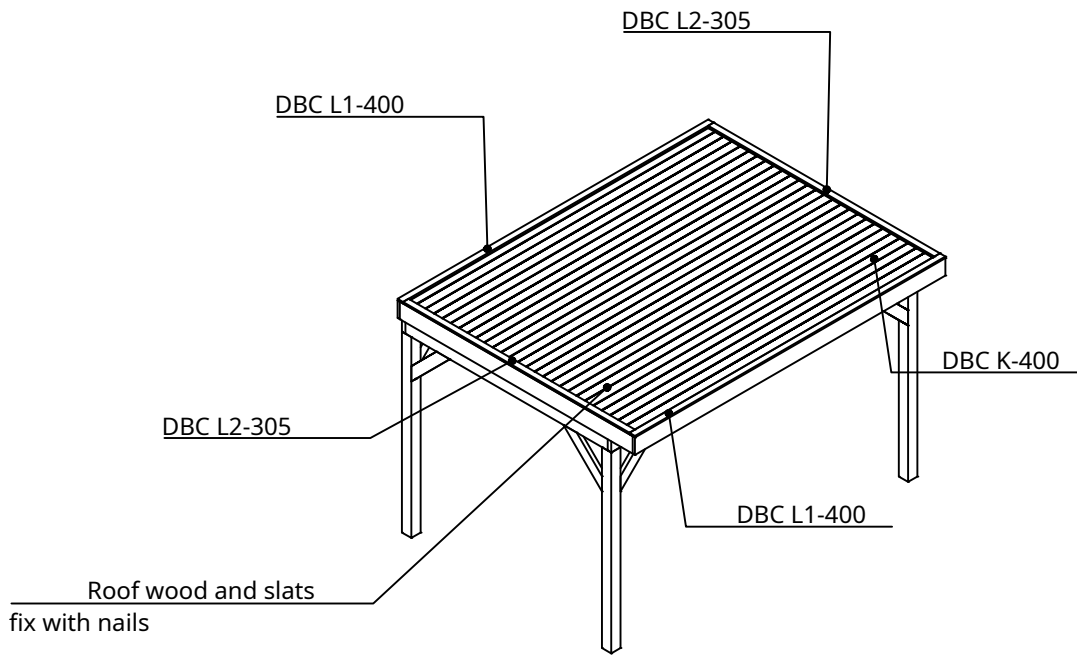






Top view





Top view

