

Canopy Plus - 5000 x 2700

Width between the posts	4690mm
Depth between the posts	2400mm
Passage height	2240mm

Quantity	Code	Length (mm)	definition
4	DBC P - 600	2400	Corner post (120x120)
3	DBC P - 700	2400	Intermediate post (120x120)
2	BVC-R1	2550	Ring beam (45x160)
2	BVC-R2 - 500	4930	Ring beam (45x160)
9	BVC-G1	2945	Purlin (45x120)
2	DBC 27	700	Straight brace (45x120)
2	BVC-B1	2945	buoyboard (28x195)
2	BVC-B2 - 500	4986	buoyboard (28x195)
2	BVC-DL1	2861	Roof batten (18x70)
4	BVC-DL2 - 500	2493	Roof batten (18x70)
56	BVC-D1 - 500	2463	Roof wood (wb 108)

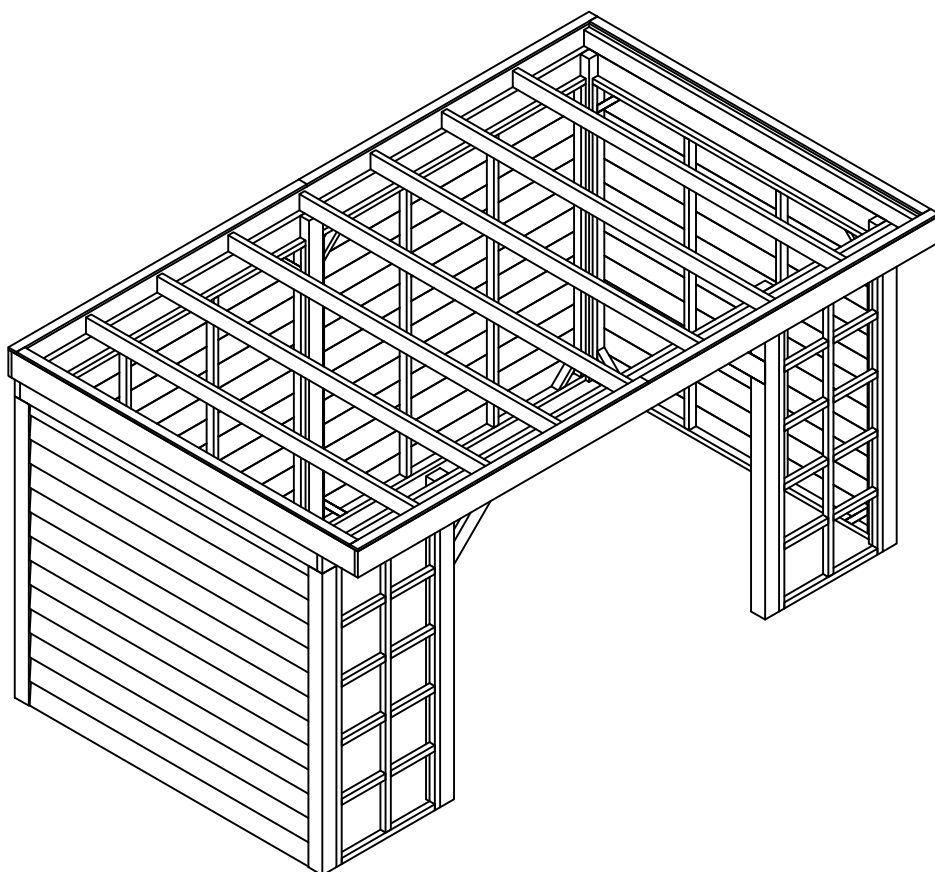
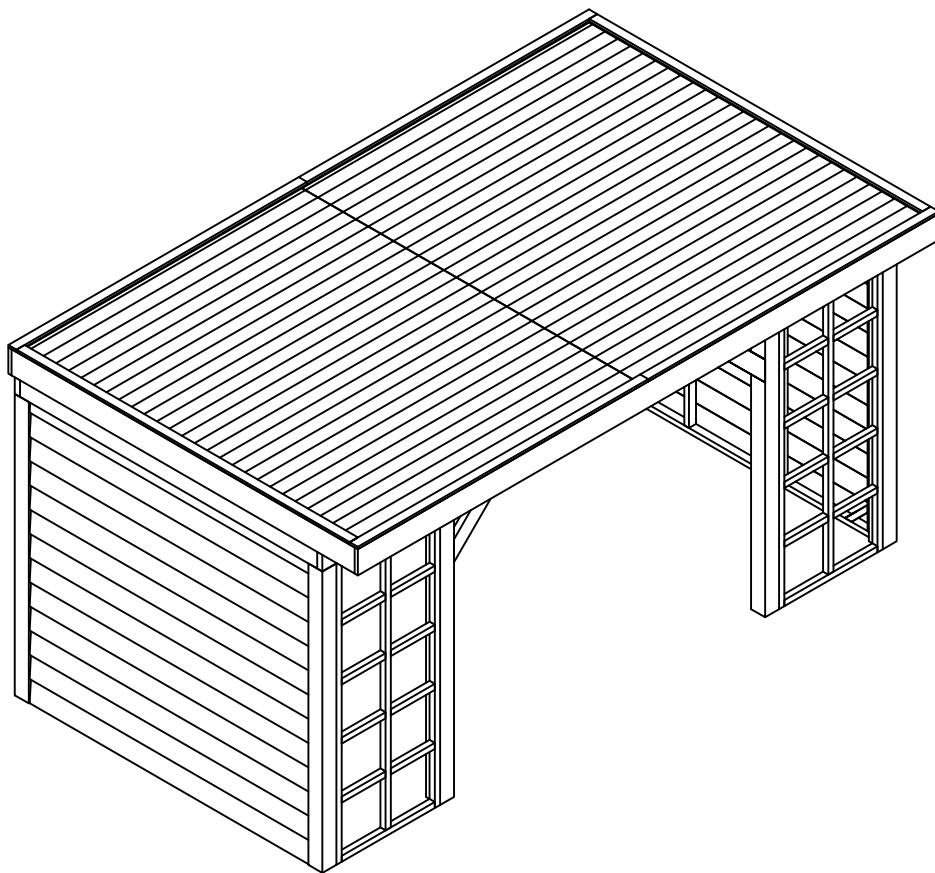
Walls - Black impregnated

Quantity	Code	Length (mm)	definition
2	W40935		
4	1009297	4000	Frame (45x70)
10	1017075	2500	Frame (45x70)
26	1009204	4000	3sa eod a pdan ca 2a pa s → 3 «
2	1011624		Bag of fasteners
2	W40945		3e a s hh kb k a\$ oe a 3sa eod a pdan ca 2a pa
14	1017075	2500	Frame (45x70)
14	1012885	5000	3sa eod a pdan ca 2a pa s → 3 «
2	1011624		Bag of fasteners
2		890	trellis
4	T-1	2240	Beam (45x45)
2	T-2	2240	Beam (45x45)
4	T-3	890	Beam (45x45)
8	T-4	890	Beam (45x45)
2			Bag of fasteners

Other components

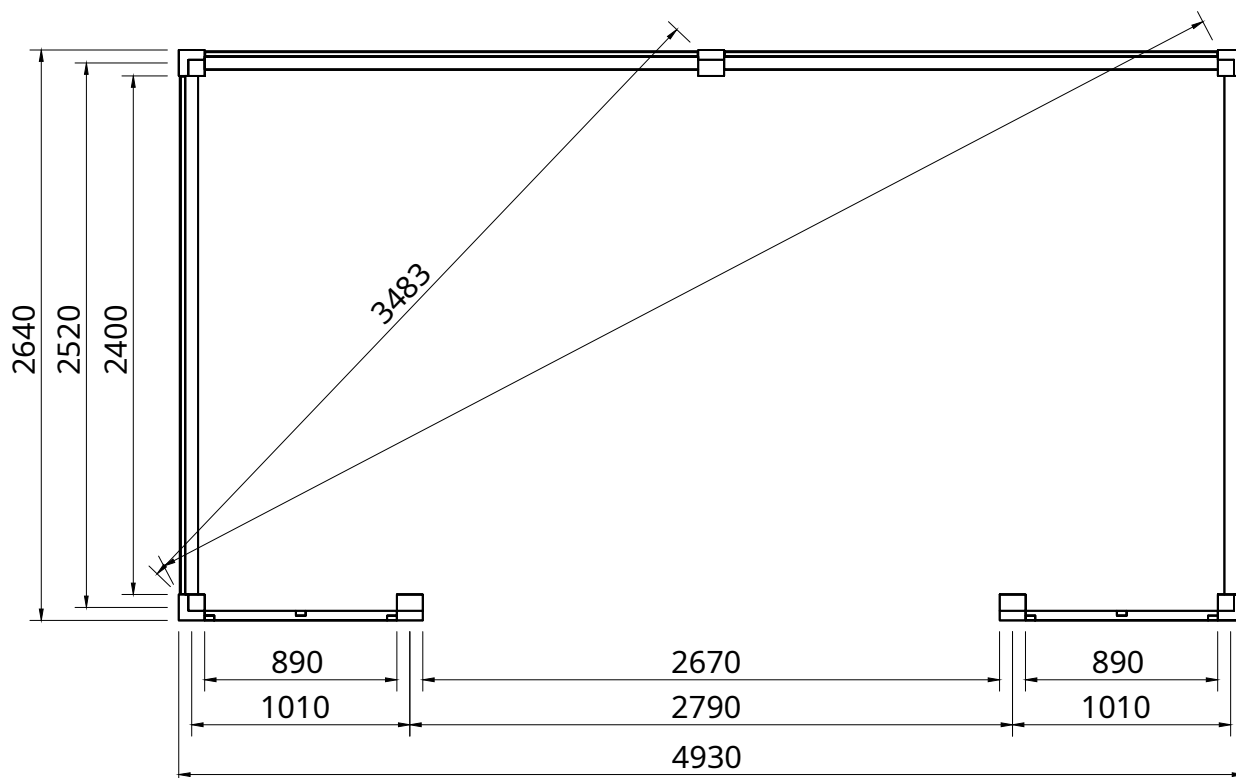
Quantity	Code	Length (mm)	definition
2	1016903		Fixing material
1		5300x3350	Set roof foil with horizontal roof terminal

1 Dimension drawings



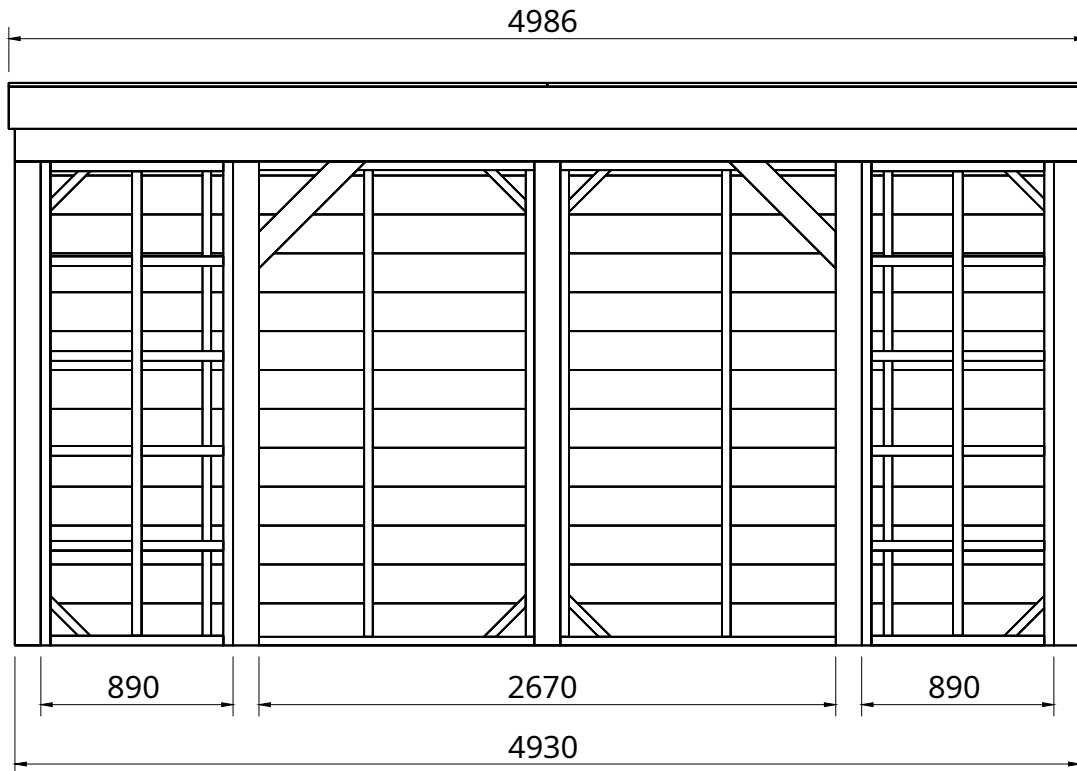
2 Dimension drawings

Floorplan

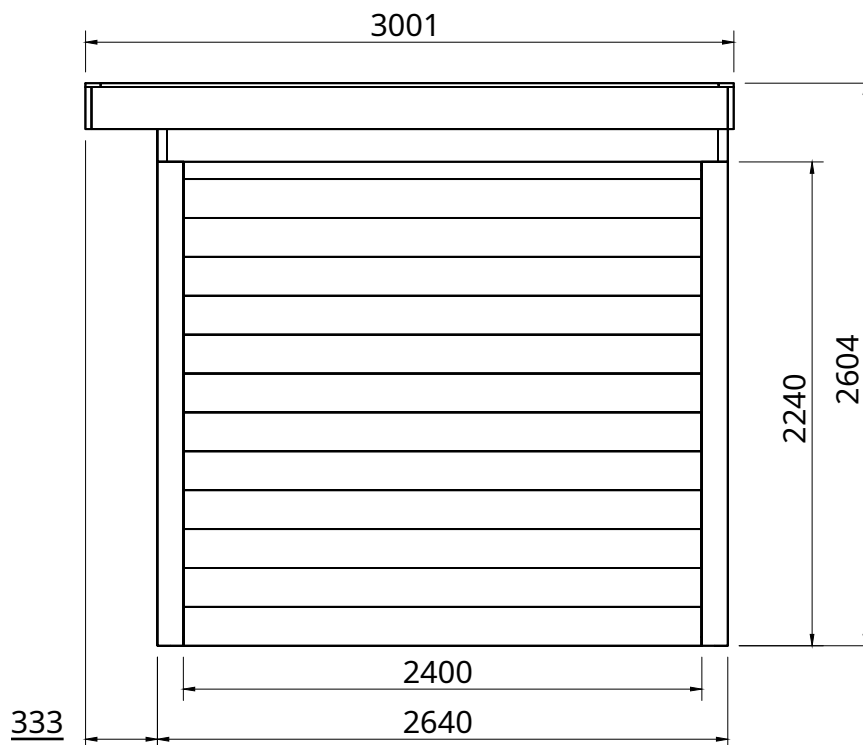


3 Dimension drawings

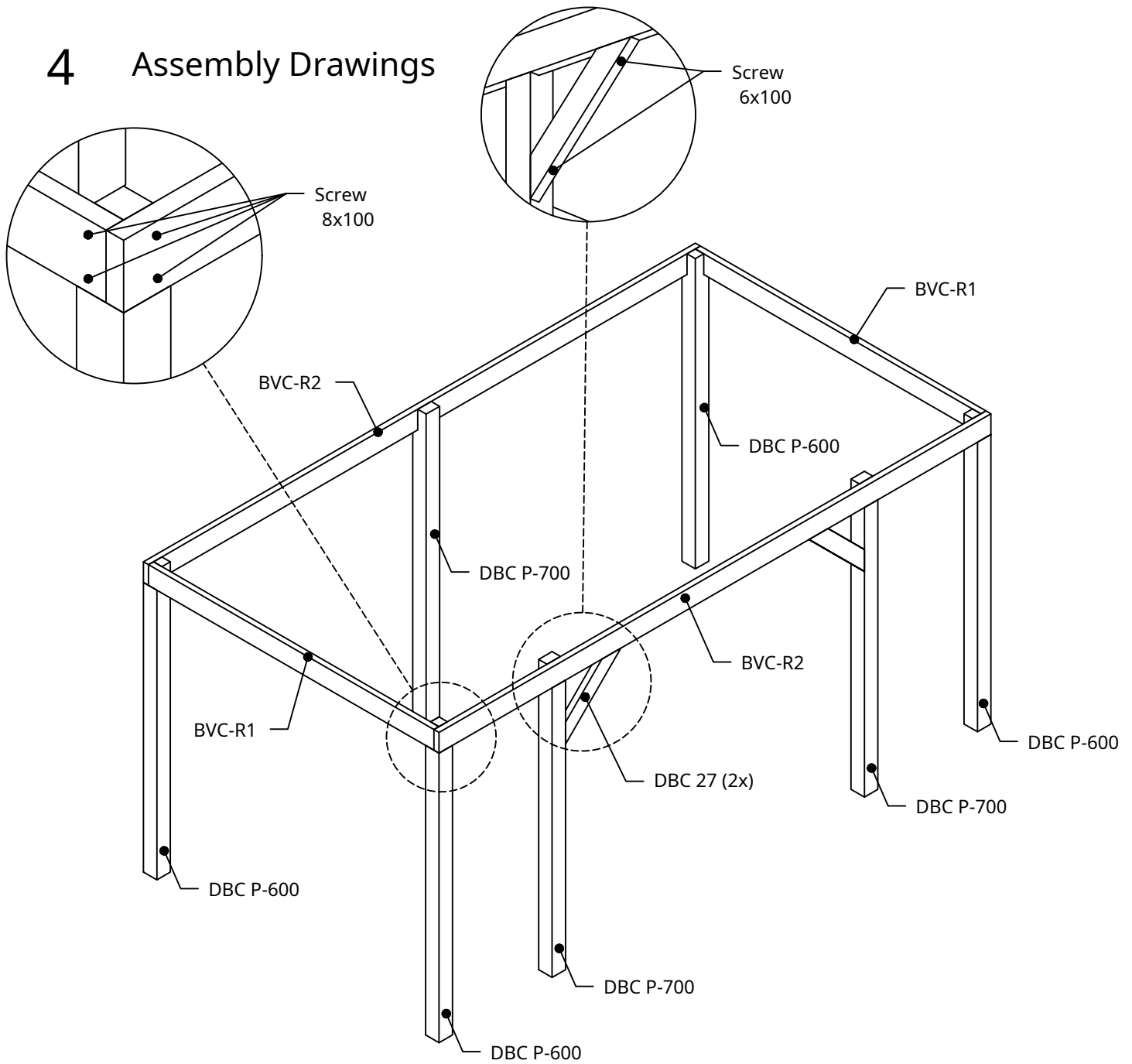
Front view



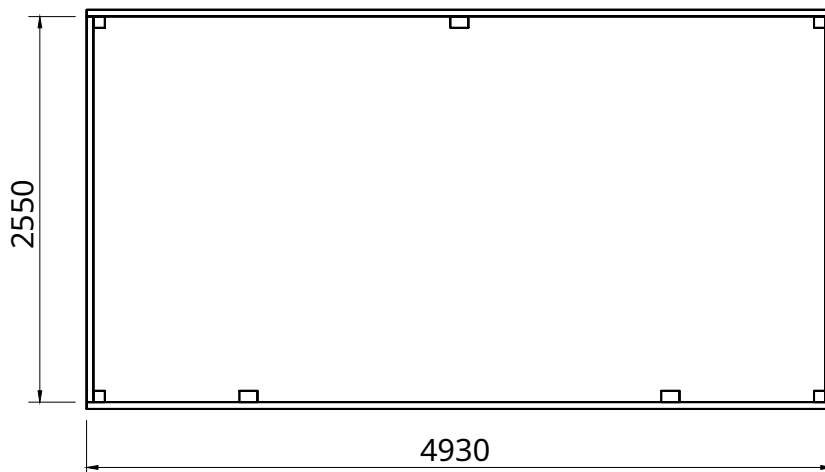
Right side view



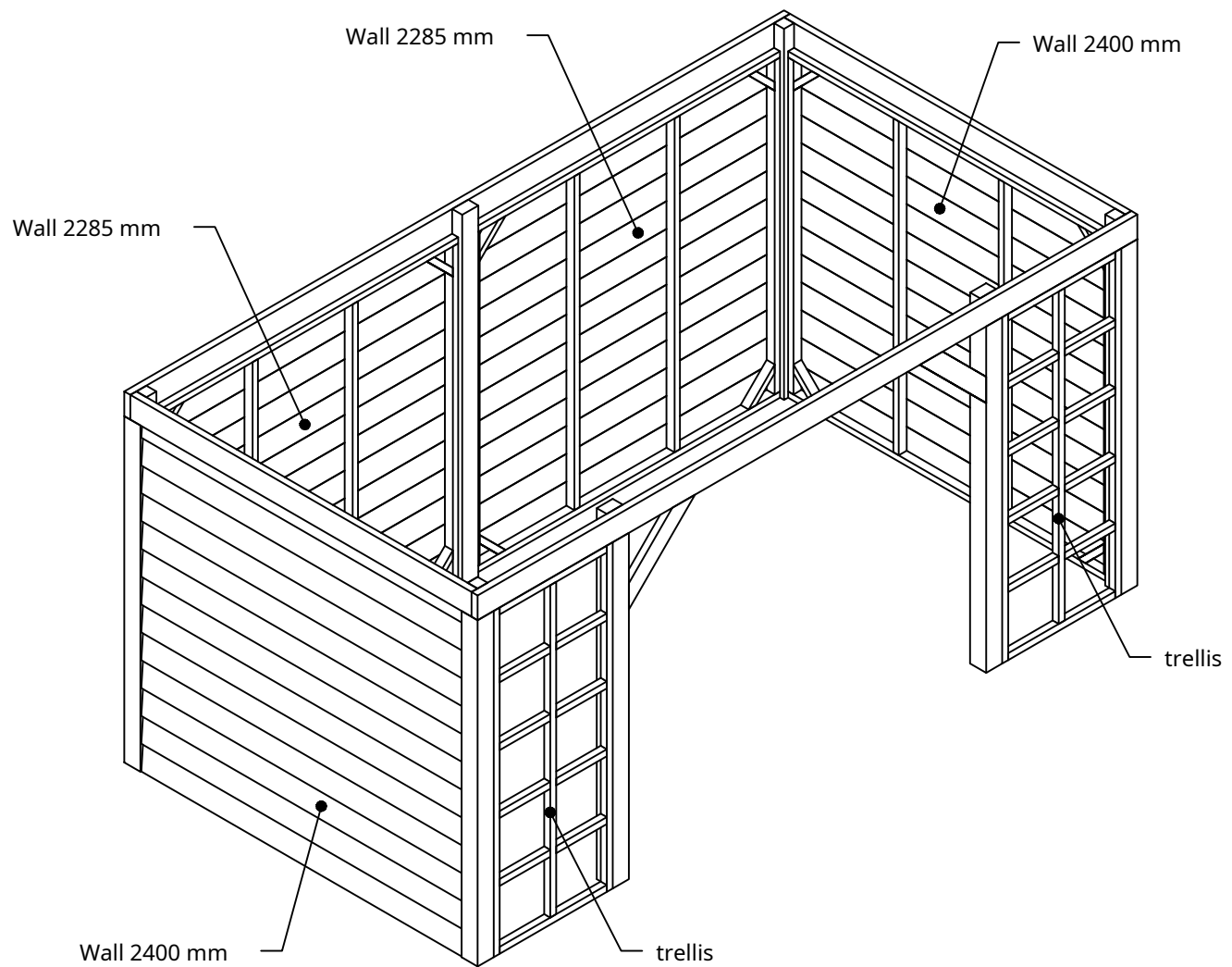
4 Assembly Drawings



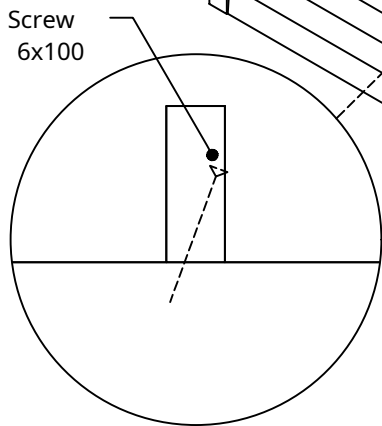
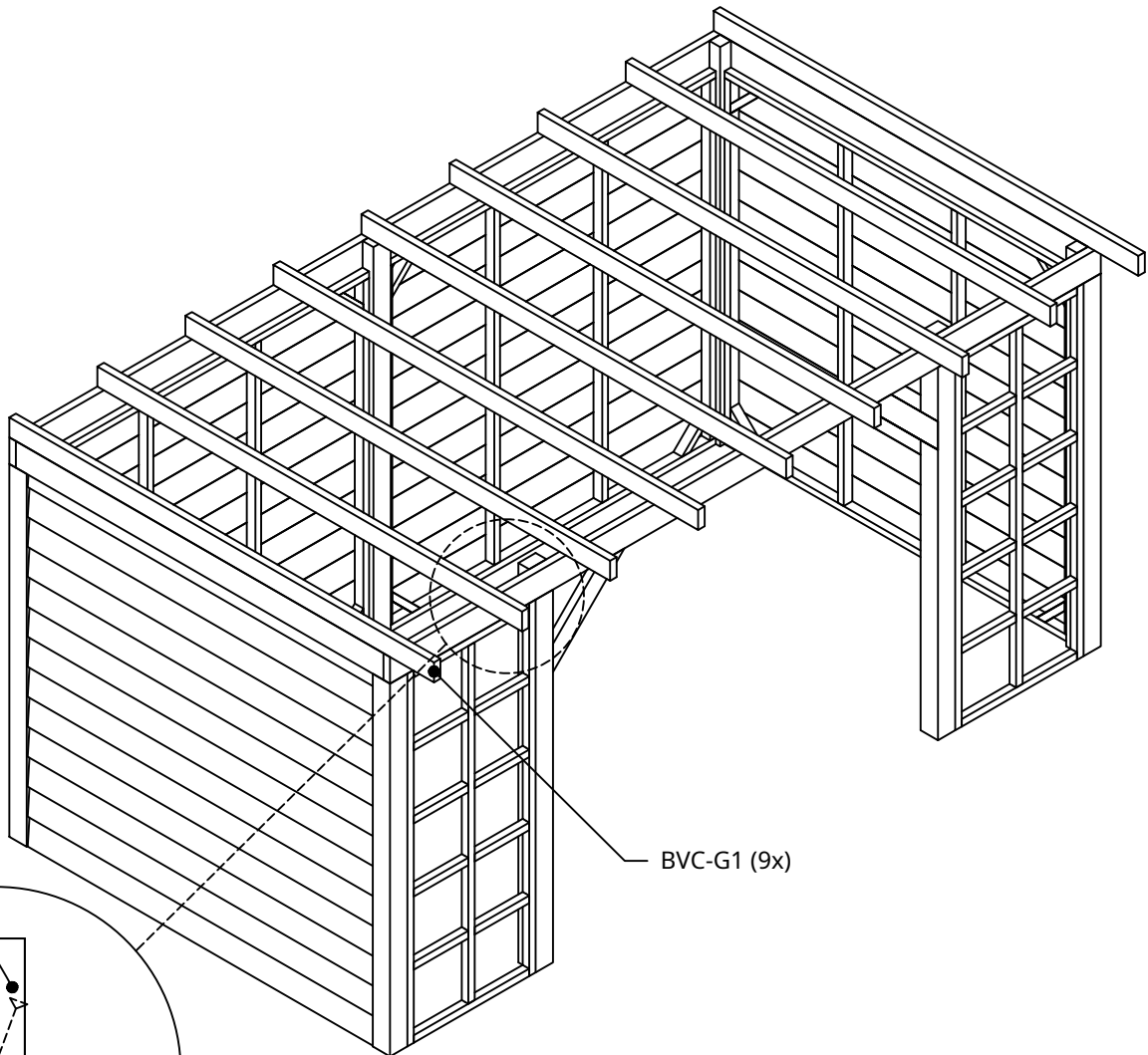
Top view



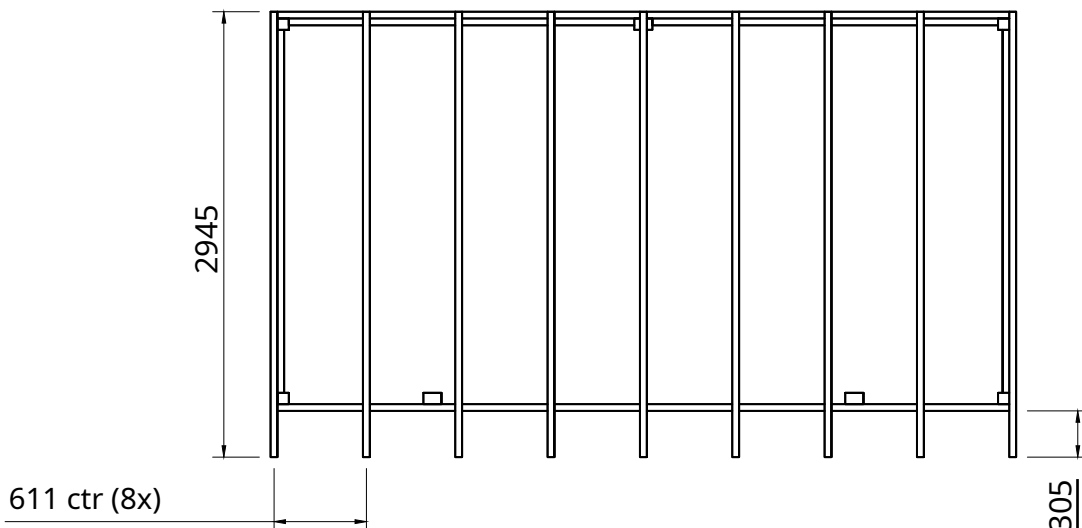
5 Assembly Drawings



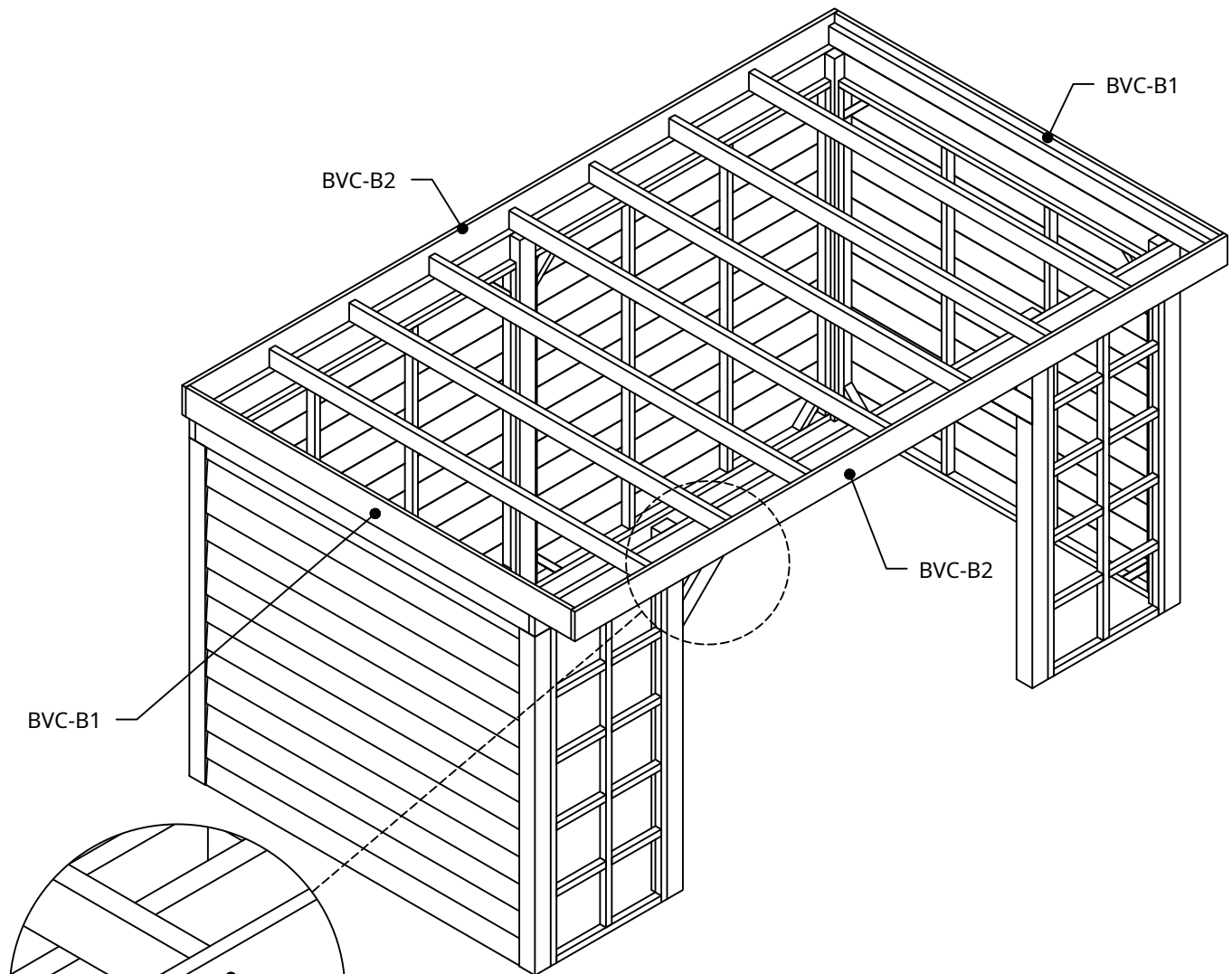
6 Assembly Drawings



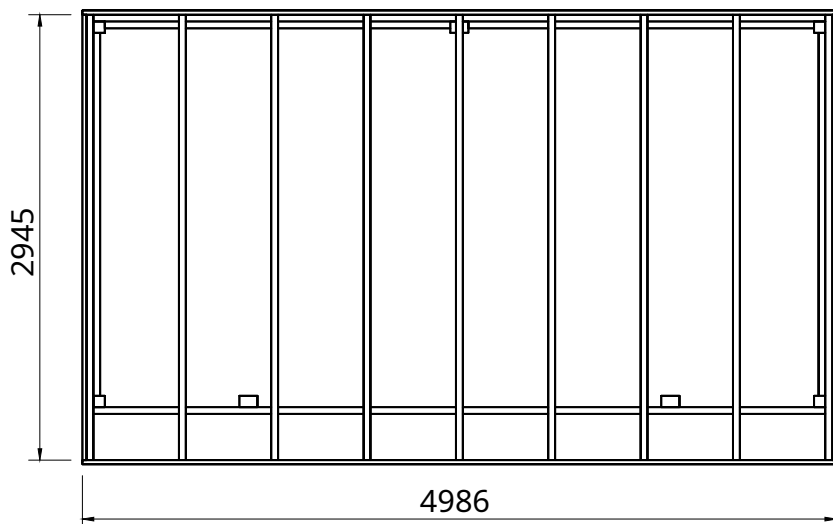
Top view



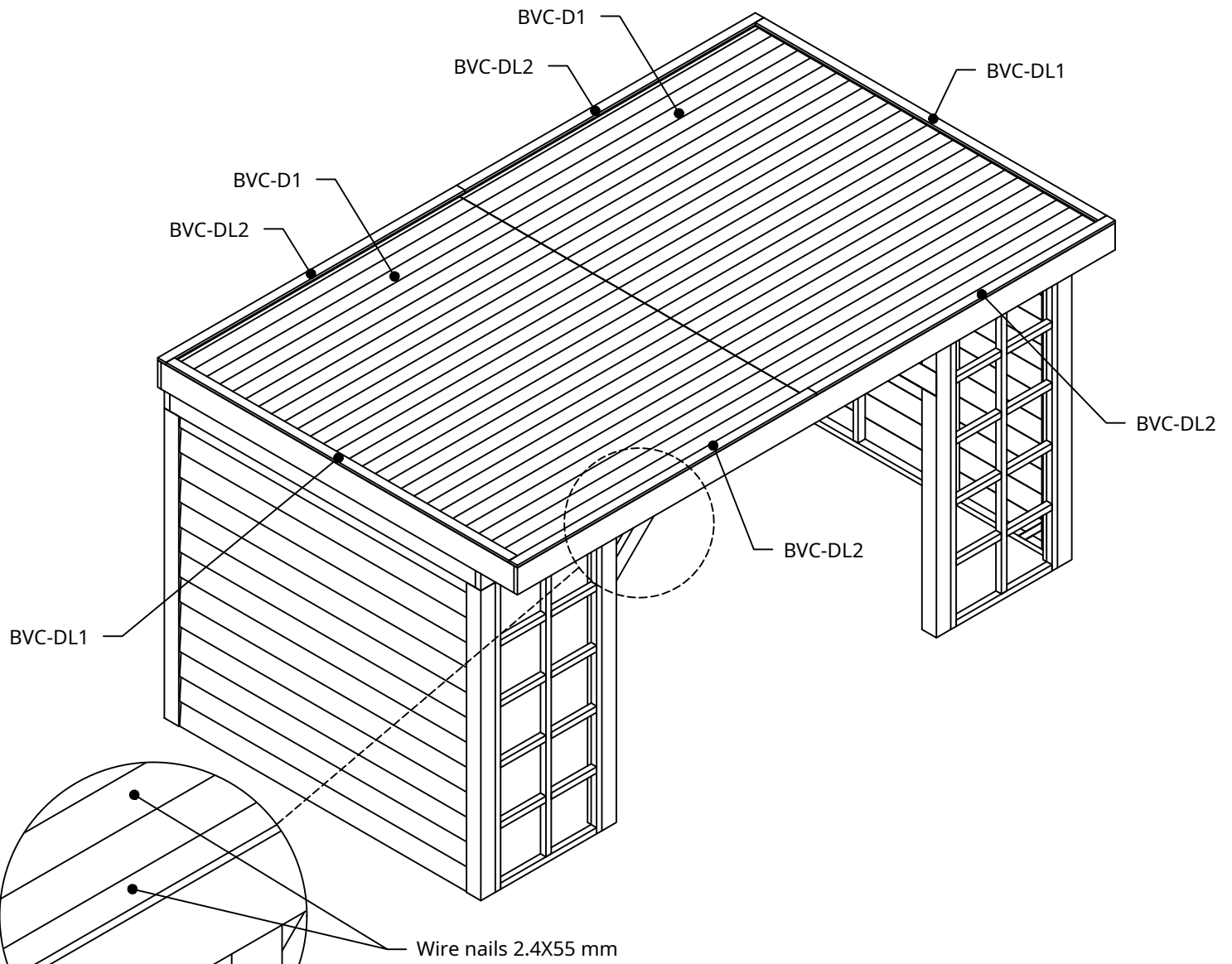
7 Assembly Drawings



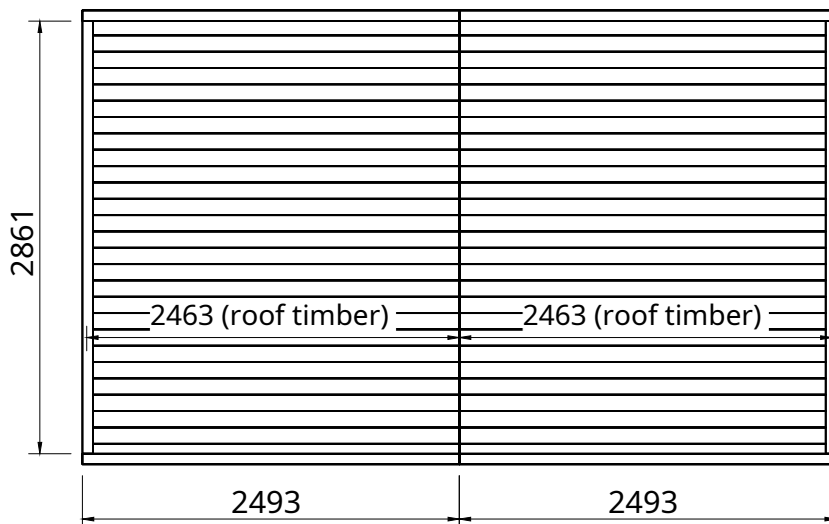
Top view



8 Assembly Drawings



Top view



11 Assembly Drawings

trellis

